

## Model SMT Series (U.S. & Metric)

Why INTERFACE SMT load cells are the best in class:

- Proprietary Interface temperature compensated strain gages
- Overload protected in both tension and compression
- Safe overload to 10 times capacity
- Ultra precision
- Low extraneous load sensitivity
- Low creep

### STANDARD CONFIGURATION

- 5 Ft Integral Cable (SMT1-nn up to 22lbf or 100N)
- <or> 5 Ft Integral Cable (SMT2-nn 112 to 450lbf or 500N to 2000N)

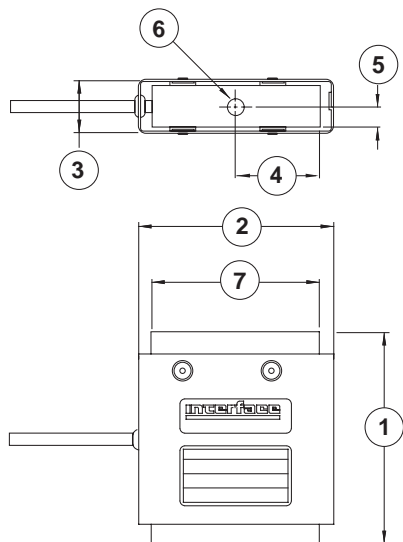
### \*OPTIONS

Alternate cable length  
Standardized output

### \*ACCESSORIES

Instrumentation  
Mounting hardware

\* See appendix for more technical information



### SPECIFICATIONS

#### ACCURACY – (MAX ERROR)

Nonlinearity-% FS	±0.05
Hysteresis-% FS	±0.03
Nonrepeatability-% RO	±0.02
Creep, in 20 min.-%	±0.025

#### TEMPERATURE

Compensated Range-°F	0 to 125
Compensated Range-°C	-15 to 50
Operating Range-°F	-10 to 175
Operating Range-°C	-25 to 80
Effect on Output-%/°F – MAX	±0.0010
Effect on Output-%/°C – MAX	±0.0018
Effect on Zero-% RO/°F – MAX	±0.0015
Effect on Zero-% RO/°C – MAX	±0.0027

#### ELECTRICAL

Rated Output-mV/V (Nominal)	2.0
Zero Balance-% RO	±3.0
Bridge Resistance-Ohm (Nominal)	350
Excitation Voltage – MAX	15 VDC
Insulation Resistance-Megohm	5000

#### MECHANICAL

Calibration	T & C
Safe Overload-% CAP (1.1, 2.2, 5.6, 11, 22, 56)	1000 (112, 225, 450)
Cable length-ft	5

Natural Frequency/Deflection:			
lbf	N	Deflection (inches)	Nat. Freq. (Hertz)
1.1	5	.014	100
2.2	10	.012	160
5.6	25	.011	260
11	50	.009	380
22	100	.007	600
56	250	.006	900
112	500	.007	600
225	1000	.007	1200
450	2000	.007	1500

### DIMENSIONS

See Drawing	CAPACITY (lbf)			
	U.S. (lbf)	Metric (N)	U.S. (lbf)	Metric (N)
	1.1, 2.2, 5.6, 11, 22, 56	5, 10, 25, 50, 100, 250	112, 225, 450	500, 1000, 2000
	inch	mm	inch	mm
①	2.48	63.0	2.98	75.7
②	2.33	59.2	2.33	59.2
③	0.65	16.5	1.15	29.2
④	0.98	24.9	0.98	24.9
⑤	0.24	6.1	0.49	12.4
⑥	1/4-28	M6 x	1/2-20	M12 x
	UNF-3B	1-6H	UNF-3B	1.75-6H
	0.31 deep	8.0 deep	0.57 deep	14.5 deep
⑦	1.96	49.8	1.96	49.8