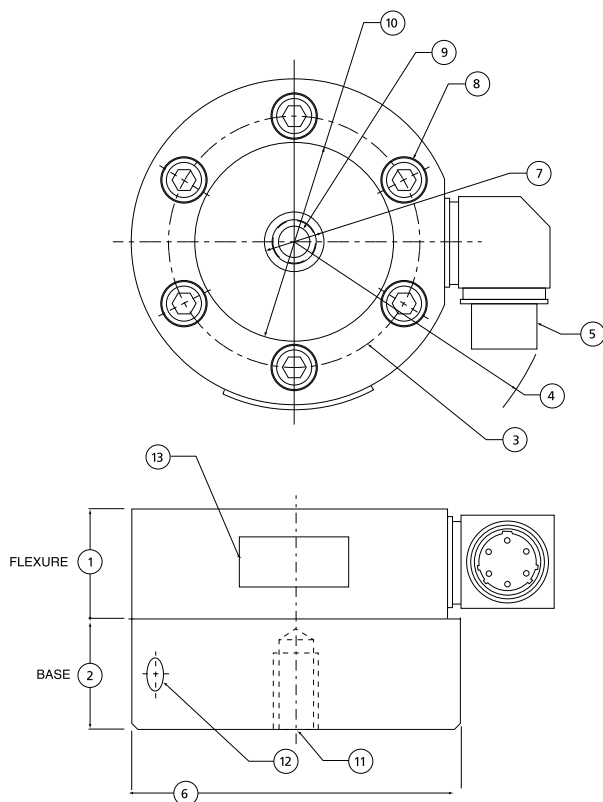


Model 2400 Stainless Series Universal – 50lbf thru 5Klbf

Why INTERFACE 2400 series
loadcells are best in class:

- Proprietary Interface temperature compensated strain gages
- Stainless steel construction
- Hermetically sealed
- Tension and compression
- Compact size
- 100 to 5,000 lbf capacity
- Counterbored mounting holes



DIMENSIONS

See Drawing	MODEL			
	2420		2430	
	CAPACITY (lbf)			
	50, 100, 500, 1000		2K, 5K	
	inch	mm	inch	mm
①	1.00	25.4	1.0	25.4
②	1.00	25.4	1.0	25.4
③	2.25	57.2	2.63	66.7
④	2.43	61.7	2.68	68.1
⑤	PTWIH-10-6P			
⑥	3.00	76.2	3.50	88.9
⑦	0.55	14.0	0.81	20.5
⑧	Counterbored for 0.250-28 S.H.C.S.		Counterbored for 0.313-24 S.H.C.S.	
⑨	0.375-24 UNF-3B thru		0.500-20 UNF-3B thru	
⑩	1.81	46.0	2.07	52.5
⑪	0.375-24 UNF 0.70 Deep		0.500-20 UNF 0.70 Deep	
⑫	Spanner holes 2 SPACED @ 180°			
⑬	Identification Label			

SPECIFICATIONS

PARAMETERS	MODEL	
	2420	2430
	CAPACITY (lbf)	
	50, 100, 500, 1000	2K, 5K
ACCURACY – (MAX ERROR)		
Static Error Band–% FS	± 0.10	± 0.10
Nonlinearity–% FS	± 0.10	± 0.10
Hysteresis–% FS	± 0.08	± 0.08
Nonrepeatability–% RO	± 0.02	± 0.02
Creep, in 20 min–%	± 0.05	± 0.05
TEMPERATURE		
Compensated Range–°F	15 to 115	15 to 115
Compensated Range–°C	-10 to 45	-10 to 45
Operating Range–°F	-65 to 250	-65 to 250
Operating Range–°C	-55 to 121	-55 to 121
Effect on Zero–%RO/F – MAX	± 0.002	± 0.002
Effect on Output–%RO/F – MAX	± 0.002	± 0.002
ELECTRICAL		
Rated Output–mV/V	3.00 ± 0.30	3.00 ± 0.30
Nominal Excitation Voltage–VDC	10	10
Bridge Resistance–Ohm (Nominal)	350	350
Zero Balance–% RO	± 2.0	± 2.0
Insulation Resistance–Megohm	5000	5000
MECHANICAL		
Safe Overload–% CAP	± 150	± 150
Deflection @ RO–inch	.003, .003, .002, .002	.002
Optional Base–P/N	B318-2	B319-2
Natural Frequency–kHz	1.3, 2.2, 6.0, 8.3	9.1, 11.7
Weight–lb	1.5	2.0
Connector	PTWIH-10-6P	
Seal	Glass-metal hermetic	
Flexure Material	Stainless steel	

OPTIONS*

Base (recommended)
 Special connectors
 Load button
 Submersible with integral cable
 70-170°F Compensated Temperature Range

STANDARD CONFIGURATIONS

• PTW1H-10-6P Connector (24xxBLX-nn)

ACCESSORIES*

Mating connector
 Instrumentation
 Loading hardware

* Please call for additional information